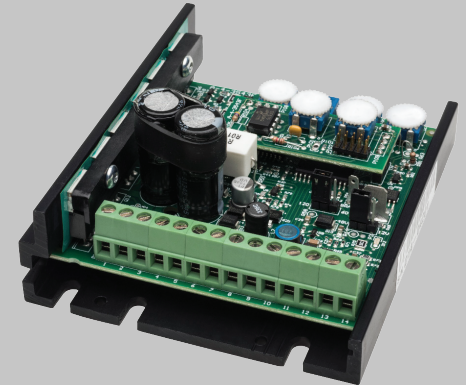


BRUSHLESS DC MOTOR CONTROL

GROSCHOPP MODEL NUMBER: DB1110D-0

750-30-0002

Brushless DC motor control technology is ideal if you're looking for quiet motor operation, long life expectancy for both drive and motor and high efficiency operation with low power loss. This proven design is the first choice for tougher applications. This control is ideal when looking for high speed and quiet operation without the wear of brushes. It provides variable speed operations for larger brushless DC motors and is compact and energy efficient. When used for OEM applications, these controls have a fixed speed setting and may be provided with a pluggable connector.



POWER

Supply Voltage (V) – 12-48 VDC

Motor Voltage (V) – 12-48 VDC

Continuous Current (A) – 7.5

Peak Current (A) – 11.3

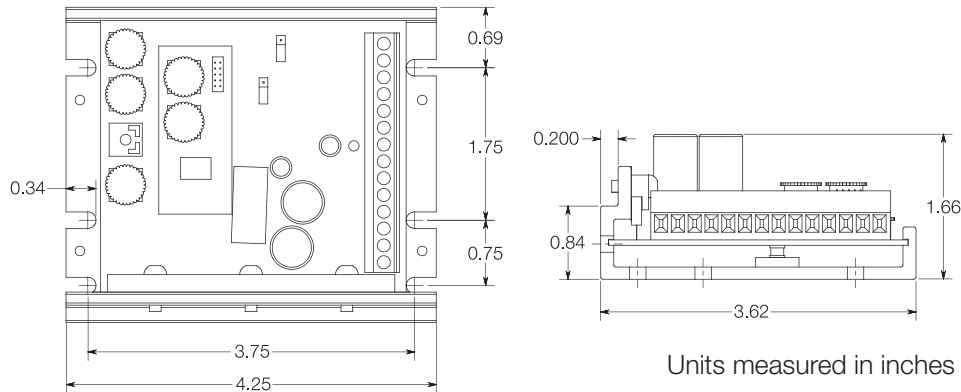
SPEED CONTROL

Closed Loop – Yes

Speed Potentiometer – Yes

DC Signal – 0-5V

Digital Control – No



Closed-loop speed control	5k Ω speed pot kit
Quiet 15 kHz PWM switching	Simple to operate
MOSFET power devices	Speed regulation: $\pm 0.5\%$ base speed
Forward/reverse control	Speed range: 60:1
Features: acceleration, deceleration, brake, inhibit	Length: 4.25 in.
Anodized chassis mount heatsink	Width: 3.62 in.
Internal supply for motor	Height: 1.30 in.
Hall-effect sensors	Enclosure Type: Chassis